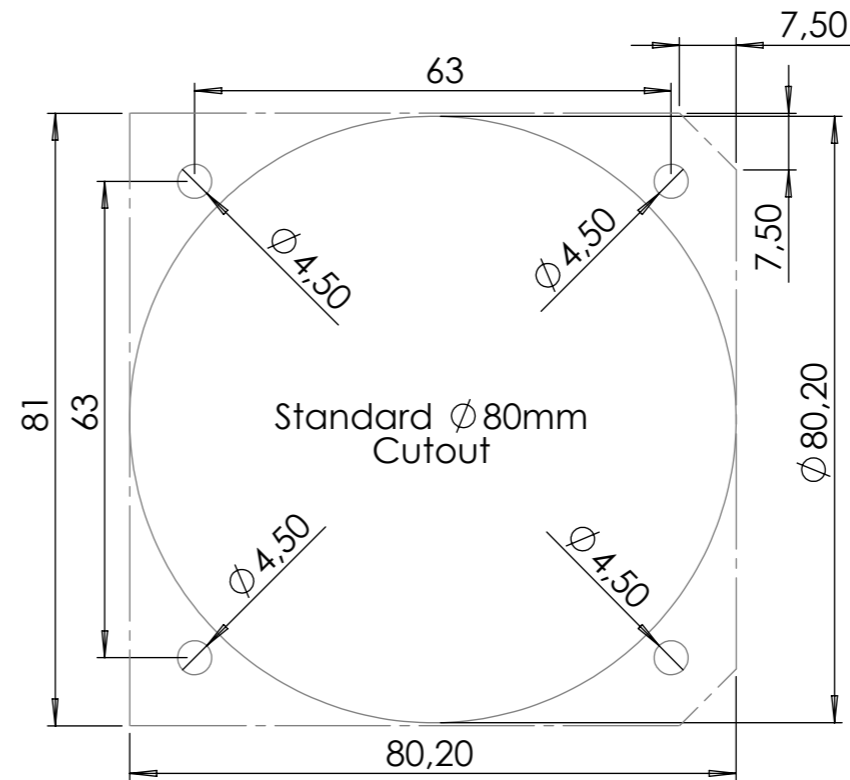
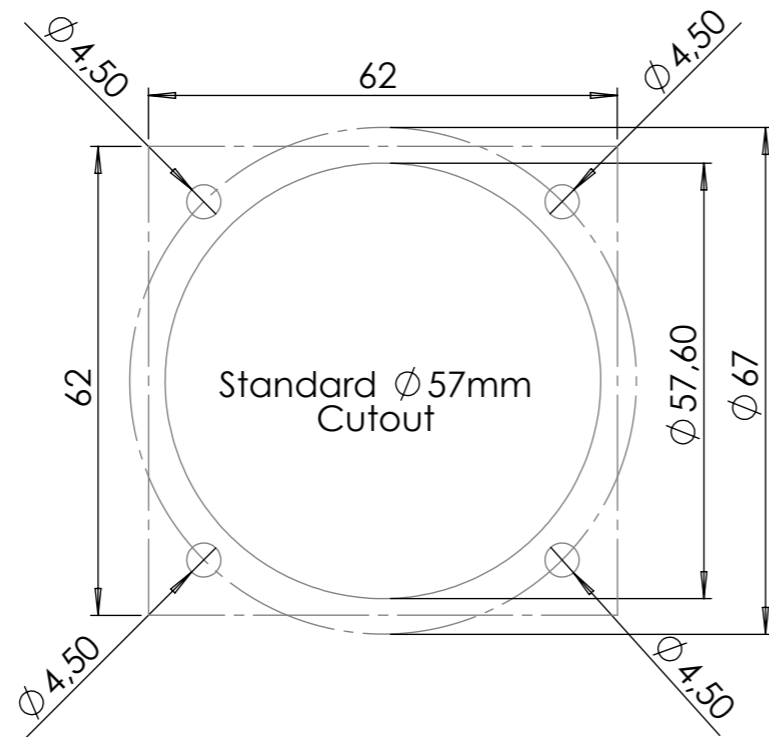
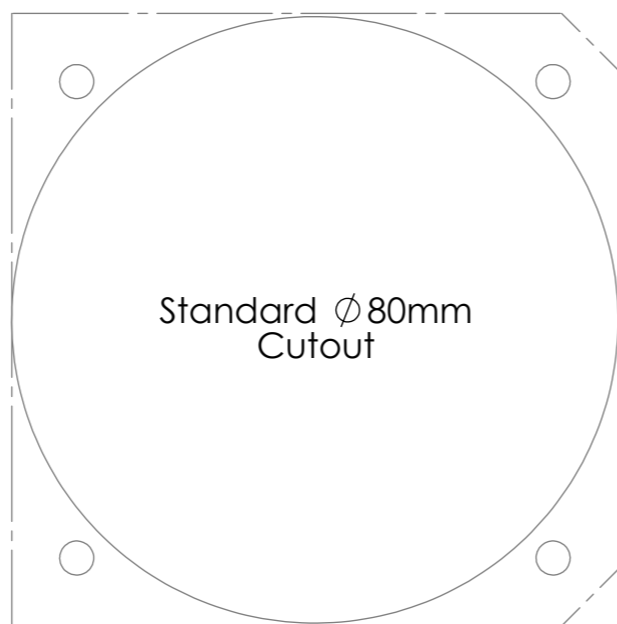
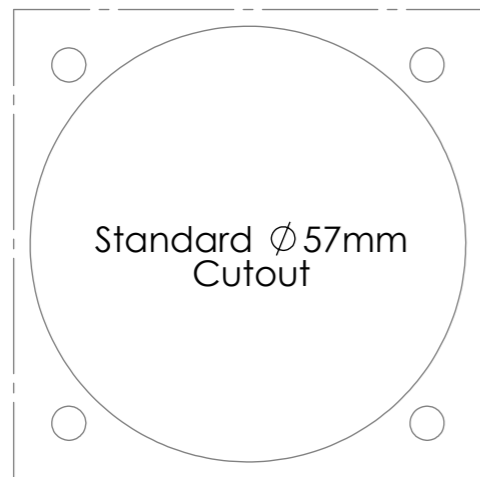


ϕ 57mm used for:
 -V5,V9,V7
 -S7,S7D
 -S3,S3D
 -Flarm view 57
 -JDU
 -FCU
 -i8, i9



ϕ 80mm used for:
 -V80
 -i80



All tolerances already incalculated!

UNLESS OTHERWISE SPECIFIED: DIMENSIONS ARE IN MILLIMETERS		FINISH:		DEBURR AND BREAK SHARP EDGES		DO NOT SCALE DRAWING		REVISION 1.0	
SURFACE FINISH: TOLERANCES: ± 0.05						LXNAV d.o.o. TITLE: Standard ϕ 57-80mm Cutout			
LINEAR: ANGULAR:									
DRAWN	NAME	SIGNATURE	DATE			DWG NO.		A3	
CHK'D	Ajazz		8.12.15			Standard_ ϕ 57-80mm_Cutout			
APPV'D						SCALE:1:1		SHEET 1 OF 1	
MFG						WEIGHT:			
Q.A						MATERIAL:			