

4

3

2

1

F

F

E

E

D

D

C

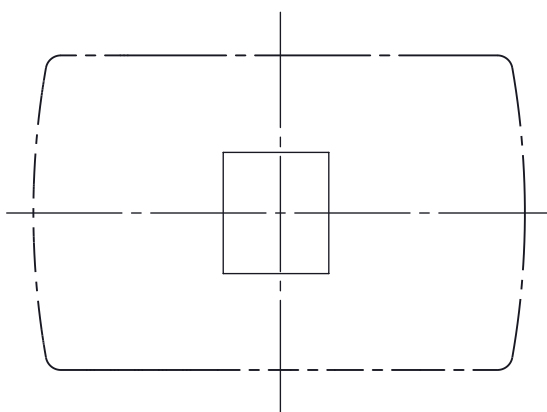
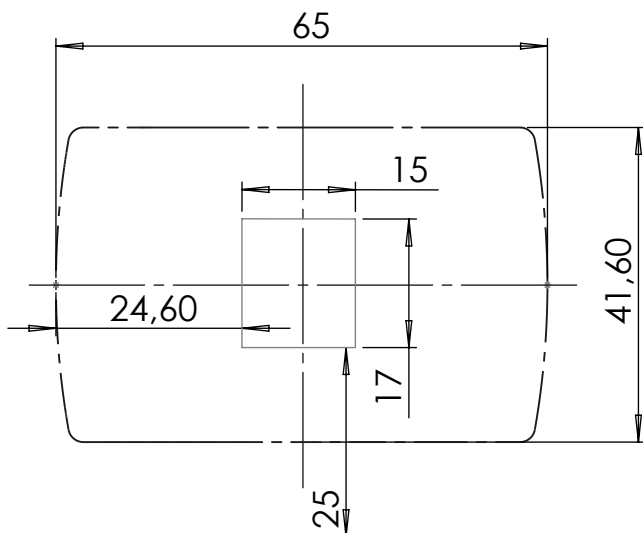
C

B

B

A

A



This Cutout is the same for **FLARM View** and **FLARM View 2**

All tolerances already incalculated!

UNLESS OTHERWISE SPECIFIED:
DIMENSIONS ARE IN MILLIMETERS
SURFACE FINISH:
TOLERANCES: ±0.05
LINEAR:
ANGULAR:

FINISH:

DEBURR AND
BREAK SHARP
EDGES

DO NOT SCALE DRAWING

REVISION 1.0

LX NAV d.o.o.

	NAME	SIGNATURE	DATE
DRAWN	Aljaz		19.5.20
CHK'D			
APPV'D			
MFG			
Q.A			

TITLE:
Flarm View 2 Cutout

MATERIAL:

DWG NO.

Flarm_view2_Cutout

A4

WEIGHT:

SCALE:1:1

SHEET 1 OF 1

4

3

2

1