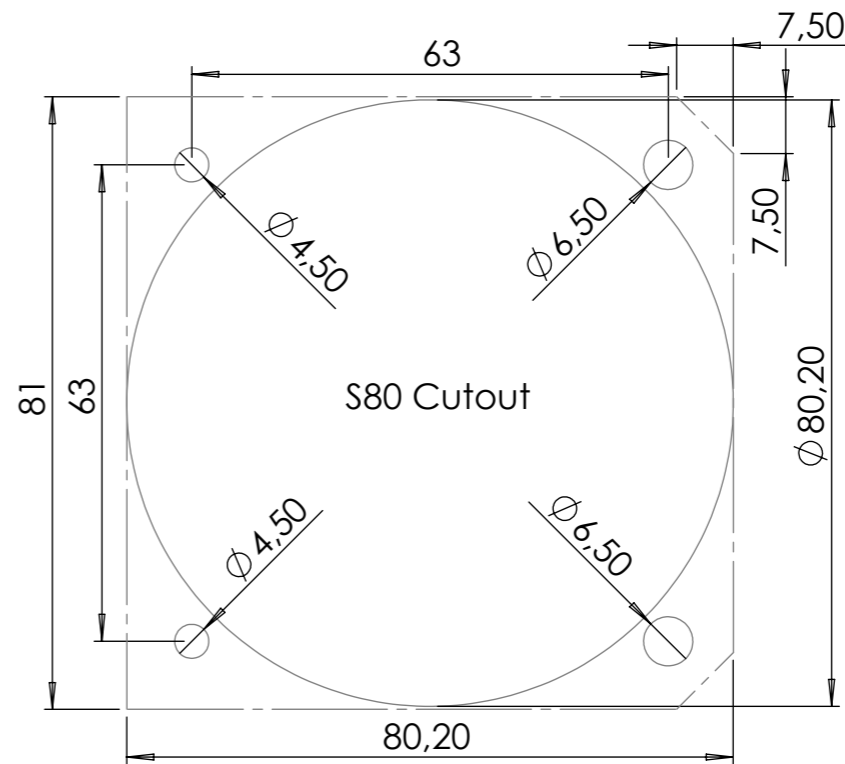
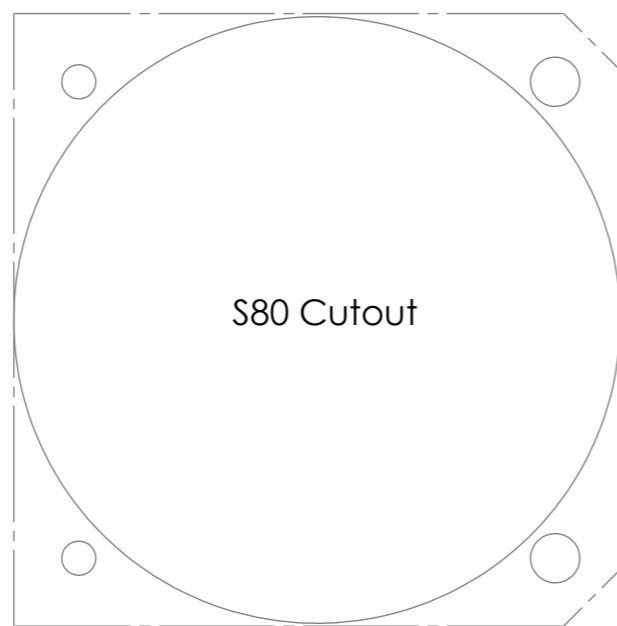
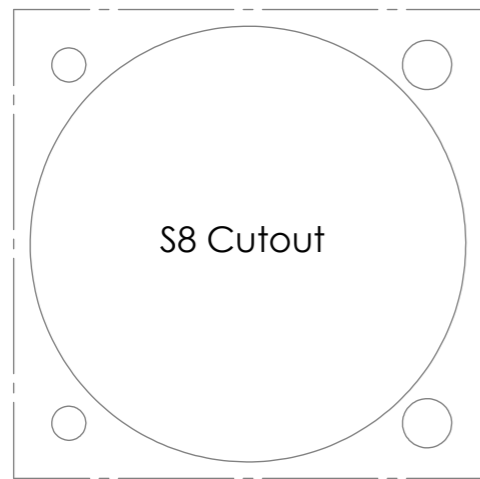


S8 Cutout used for:
 -S8
 -S8D



S80 Cutout used for:
 -S80
 -S80D



All tolerances already incalculated!

UNLESS OTHERWISE SPECIFIED: DIMENSIONS ARE IN MILLIMETERS		FINISH:		DEBURR AND BREAK SHARP EDGES		DO NOT SCALE DRAWING		REVISION 1.0	
SURFACE FINISH: TOLERANCES: ±0.05						TITLE: S8-S80 Cutout			
LINEAR: ANGULAR:								DWG NO. S8-S80 Cutout	
DRAWN	NAME Ajaz	SIGNATURE	DATE 7.12.15						
CHK'D									
APPV'D									
MFG									
Q.A				MATERIAL:					
				WEIGHT:		SCALE:1:1		SHEET 1 OF 1	