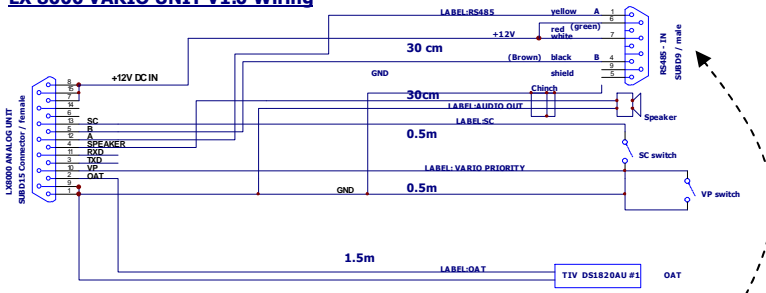
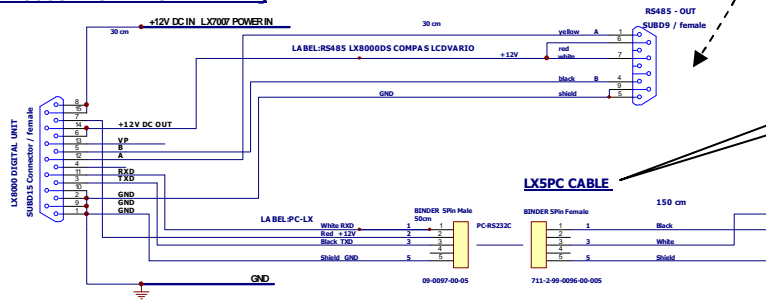


**LX 8000 VARIO UNIT V1.0 Wiring**



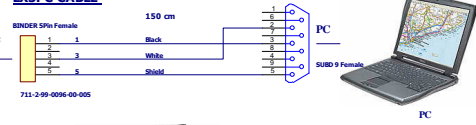
Connect together

**LX 8000 DIGITAL UNIT Wiring**



Only for Flarm update

**LXSPC CABLE**



**LX7COL CABLE**

