

USER MANUAL

V8 V80

Variometer

Version 5.0



1	Important Notices	3
1.1	Limited Warranty	3
2	Packing Lists	4
3	Installation	5
3.1	Installing the LXNAV V8X	6
3.2	Connecting LXNAV V8X	6
3.3	Cutout of V8X	7
3.4	Ports and Wiring	9
3.4.1	LXNAV V8X ports	10
3.4.1.1	Main port	11
3.4.1.2	Audio port	11
3.4.2	V8X vario unit wiring	11
3.5	Updating firmware of V8X	12
3.5.1	Updating main unit	12
3.5.2	Updating with micro SD card on V8X.	12

1 Important Notices

The LXNAV V8X system is designed for VFR use only as an aid to prudent navigation. All information is presented for reference only. Terrain, airports and airspace data are provided only as an aid to situation awareness.

Information in this document is subject to change without notice. LXNAV reserves the right to change or improve their products and to make changes in the content of this material without obligation to notify any person or organisation of such changes or improvements.



A Yellow triangle is shown for parts of the manual which should be read carefully and are important for operating the LXNAV V8X system.



Notes with a red triangle describe procedures that are critical and may result in loss of data or any other critical situation.



A bulb icon is shown when a useful hint is provided to the reader.

1.1 Limited Warranty

This LXNAV V8X product is warranted to be free from defects in materials or workmanship for two years from the date of purchase. Within this period, LXNAV will, at its sole option, repair or replace any components that fail in normal use. Such repairs or replacement will be made at no charge to the customer for parts and labour, the customer shall be responsible for any transportation cost. This warranty does not cover failures due to abuse, misuse, accident, or unauthorised alterations or repairs.

THE WARRANTIES AND REMEDIES CONTAINED HEREIN ARE EXCLUSIVE AND IN LIEU OF ALL OTHER WARRANTIES EXPRESSED OR IMPLIED OR STATUTORY, INCLUDING ANY LIABILITY ARISING UNDER ANY WARRANTY OF MERCHANTABILITY OR FITNESS FOR A PARTICULAR PURPOSE, STATUTORY OR OTHERWISE. THIS WARRANTY GIVES YOU SPECIFIC LEGAL RIGHTS, WHICH MAY VARY FROM STATE TO STATE.

IN NO EVENT SHALL LXNAV BE LIABLE FOR ANY INCIDENTAL, SPECIAL, INDIRECT OR CONSEQUENTIAL DAMAGES, WHETHER RESULTING FROM THE USE, MISUSE, OR INABILITY TO USE THIS PRODUCT OR FROM DEFECTS IN THE PRODUCT. Some states do not allow the exclusion of incidental or consequential damages, so the above limitations may not apply to you. LXNAV retains the exclusive right to repair or replace the unit or software, or to offer a full refund of the purchase price, at its sole discretion. SUCH REMEDY SHALL BE YOUR SOLE AND EXCLUSIVE REMEDY FOR ANY BREACH OF WARRANTY.

To obtain warranty service, contact your local LXNAV dealer or contact LXNAV directly.

2 Packing Lists

- LXNAV V8X
- V8X cable
- Speaker

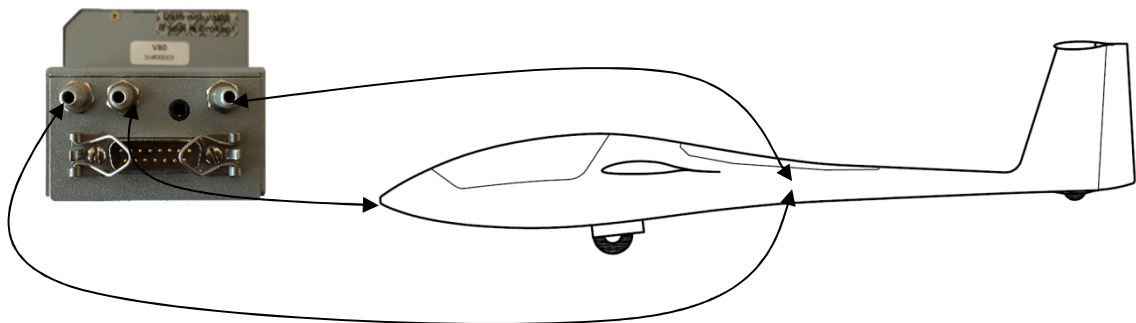
3 Installation

The V8X vario unit and any additional V8X indicators each require a standard 80 mm cut-out. Three pressure connectors are fitted to the back of the V8X vario unit. A label shows their functions.

- P_{static} means static pressure connector.
- P_{total} means pitot or total pressure connector.
- TE means total energy TE connector.

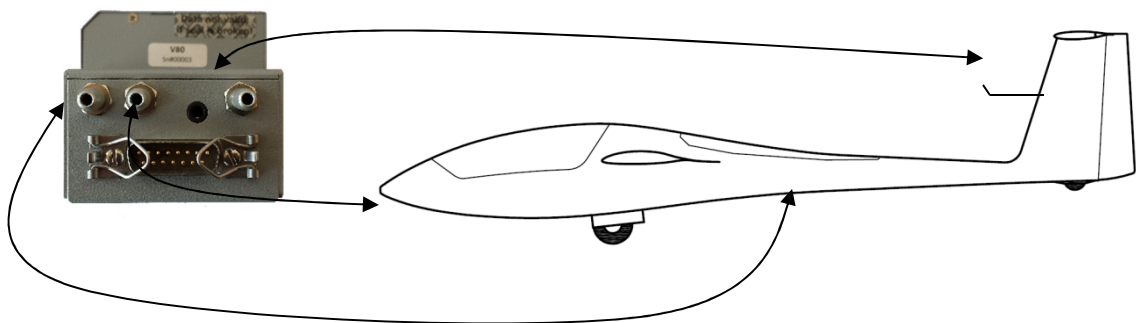
If the unit is to be configured for electronic TE compensation the connections are as follows:

- P_{static} Static
- P_{total} Pitot or Total pressure
- TE/ P_{static} Static



If the unit is to be configured for pneumatic TE compensation using a TE tube, then the connections are:

- TE/ P_{static} TE tube
- P_{static} Static
- P_{total} Pitot or Total pressure



Inside the V8X sensor box is the inertial unit, which is used for displaying the AHRS, and also compass measurement. Please install the unit as horizontal as possible. Fine adjustment of the AHRS is accomplished with software.



If the P_{total} and Static are connected the wrong way around there will be no integrator reading (average climb) during the flight.

The LX9000/LX9070/8000/8080 digital unit is connected to 12 Volt power via the 15-pin SUB-D connector. The LX9000/LX9070/8000/8080 digital unit and the V8X unit (80 mm units) are connected via the RS485 bus (9 pin DB connectors).

Please ensure that both units are connected correctly before the first power on. The power wires (red and blue) should be connected to the main LX9000/LX9070/8000/8080 digital unit.



Even though there is an automatic fuse in the instrument it is VERY IMPORTANT to use an external fuse (max. 3A). Power supply cables should use a minimum of 0.5 mm² wires. To prevent damage to the LX9000/LX9070/8000/8080 digital unit after a short circuit on the RS485 bus there is an automatic fuse.

If a short circuit occurs then the 80mm unit will appear not to work anymore. The reason is not the defect of 80 mm unit – it is due to the hot automatic fuse. Turn off the LX9000/LX9070/8000/8080 system and wait for the automatic fuse to cool down.

3.1 Installing the LXNAV V8X

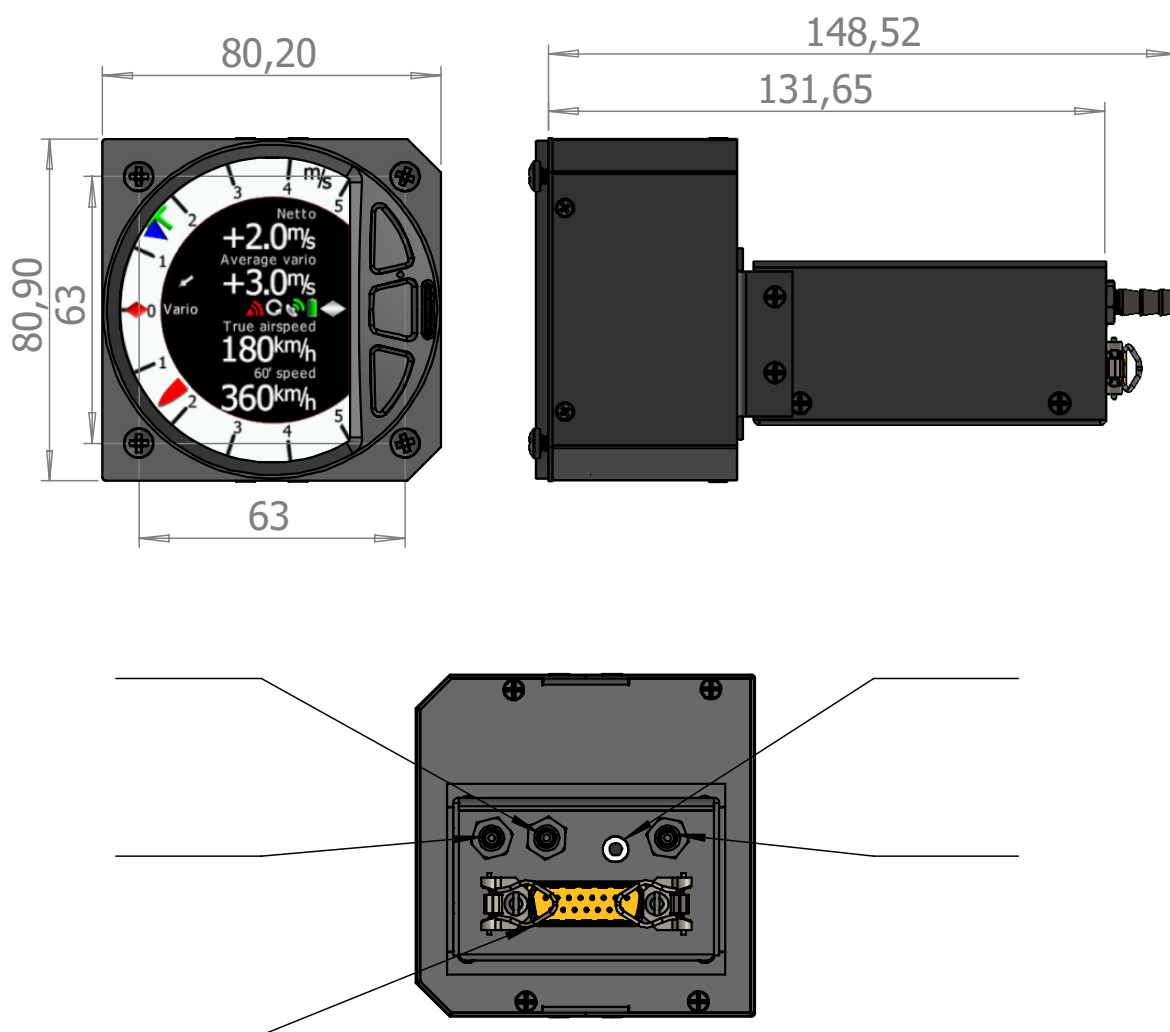
The LXNAV V8X vario should be mounted in a standard 80 mm hole. Remove the four screws, install the V8X into the panel, and then attach with the four screws.

3.2 Connecting LXNAV V8X

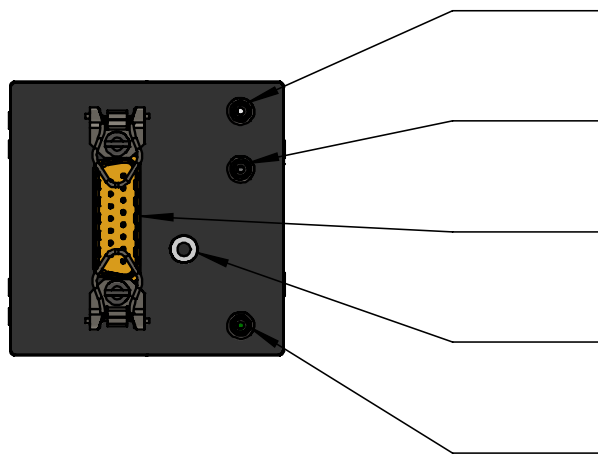
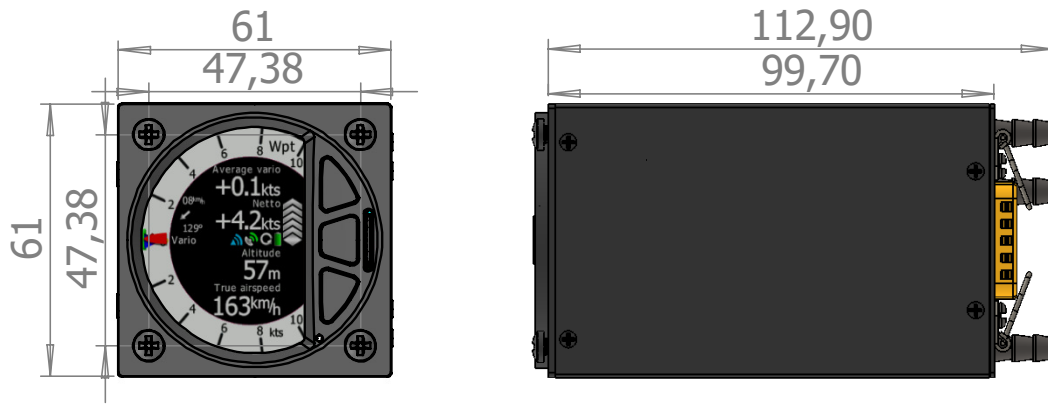
LXNAV V8X is connected to main unit through RS485 bus. SC cable is used for external switch, for switching between climb and cruise mode. In case that SC is connected to flaps switch, VP (vario priority) is connected to switch on stick. Inputs IN1..4 are used to connect to gear switch, air brake , etc...

3.3 Dimensions

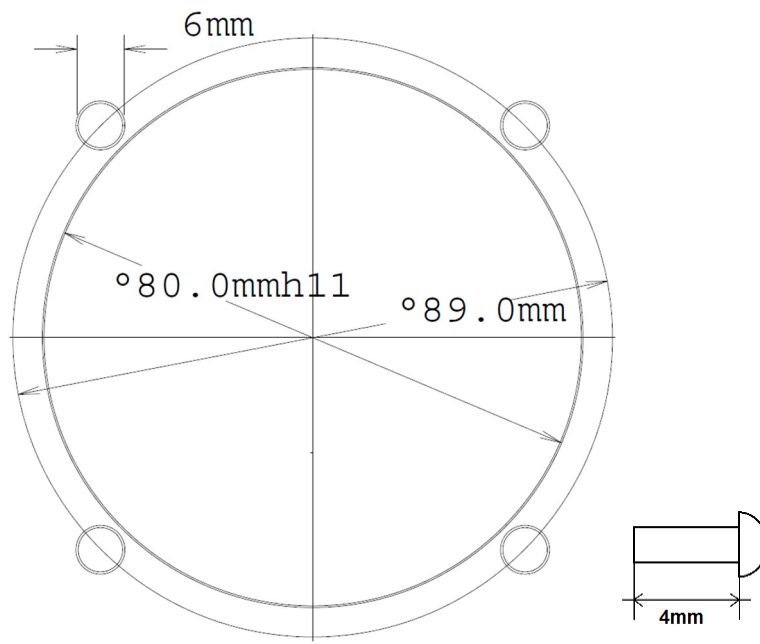
3.3.1 V80



3.3.2 V8



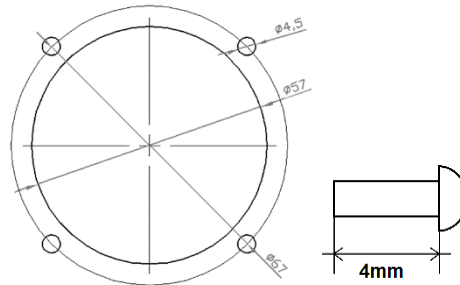
3.4 Cutout of V80





Length of screw is limited to max 4mm!

3.5 Cutout of V8

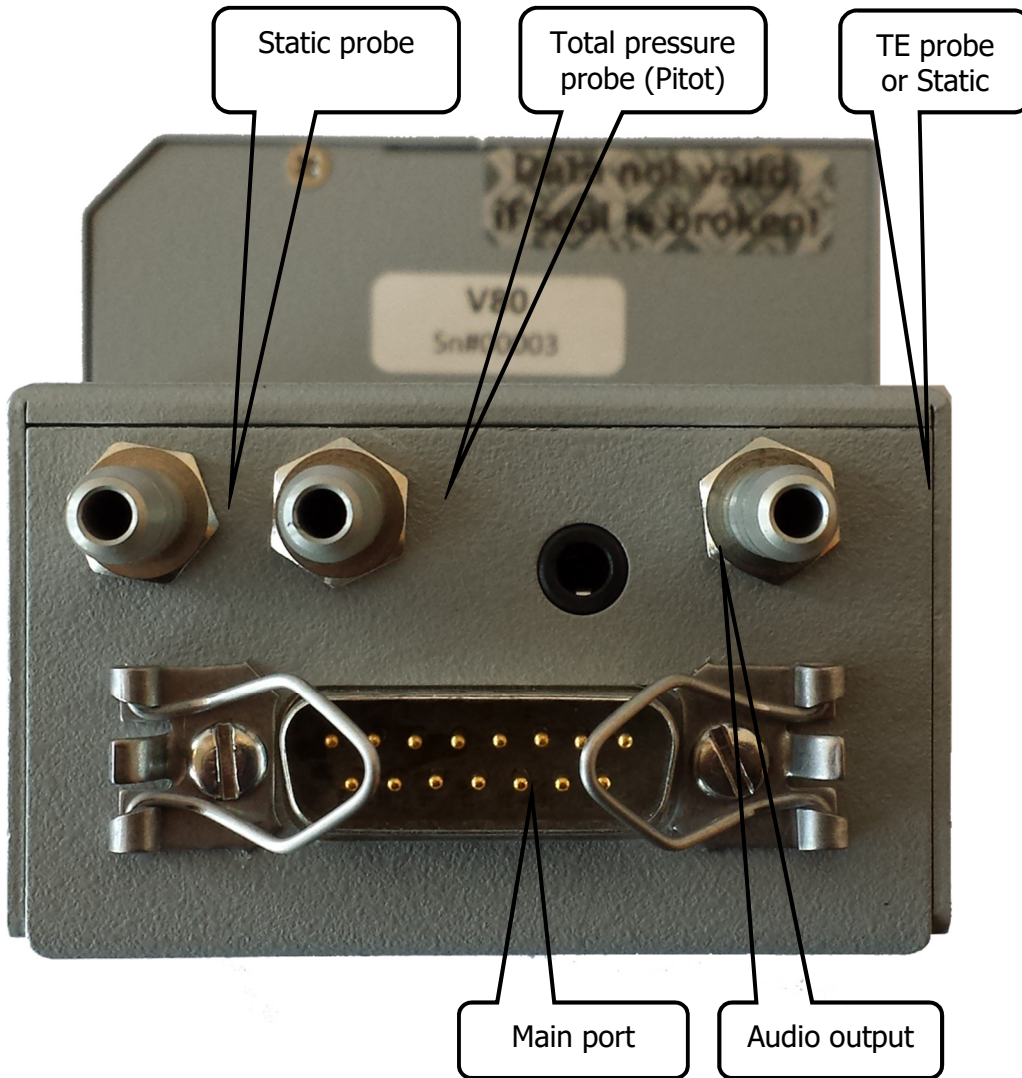


Length of screw is limited to max 4mm!

3.6

3.7 Ports and Wiring

3.7.1 LXNAV V8X ports





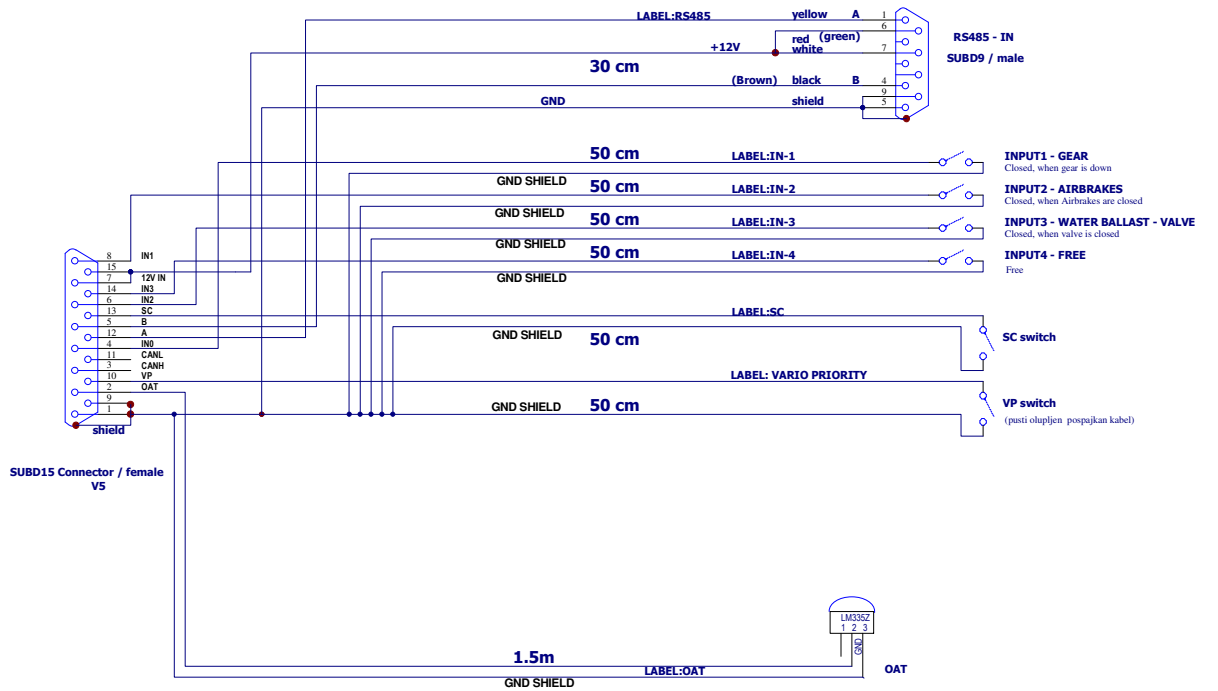
3.7.1.1 Main port

The V8X wiring harness is connected to the main port.

3.7.1.2 Audio port

Here is connected speaker with standard 3mm phono jack.

3.7.2 V8X vario unit wiring



V8X has four inputs. These inputs can be connected to Eg. Gear, Airbrake switches and can be set in setup-hardware-variometer.

3.8 Updating firmware of V8X

For versions 5 and higher, the size of V8X display has increased so much, that update from from LX9000/LX9070/LX8000/LX8080 would take too much time. The new procedure is to copy following files to V8X SD card:

V8X.fw

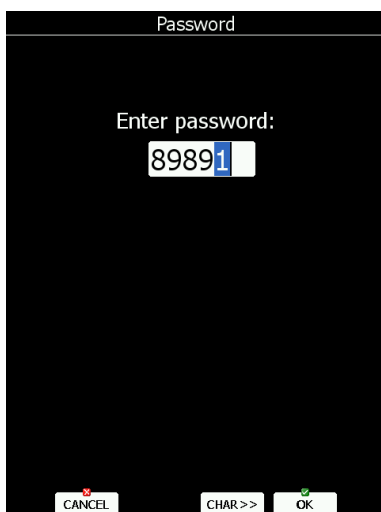
V8x_init.bin

Firmware of vario part, need to be updated from LXxxx side:

App_NINE_5.14.lxfw

In most cases latest firmware for vario part is already part of firmware for LXxxxx.

3.8.1 Updating main unit



Start the LX9000 and go to the Setup->Password menu option.

Enter password **89891** and press **ENTER**.

The LX9000 will automatically search for an update file. If more than one update file is found a selection dialogue will appear.

Select appropriate update file (**App_NINE_5.14.lxfw**) and wait until update will finish.

3.8.2 Updating with micro SD card on V8X.

Simply copy the firmware files (**V8X.fw** and **V8x_init.bin**) to SD card, reboot the unit and wait until the update is finished.